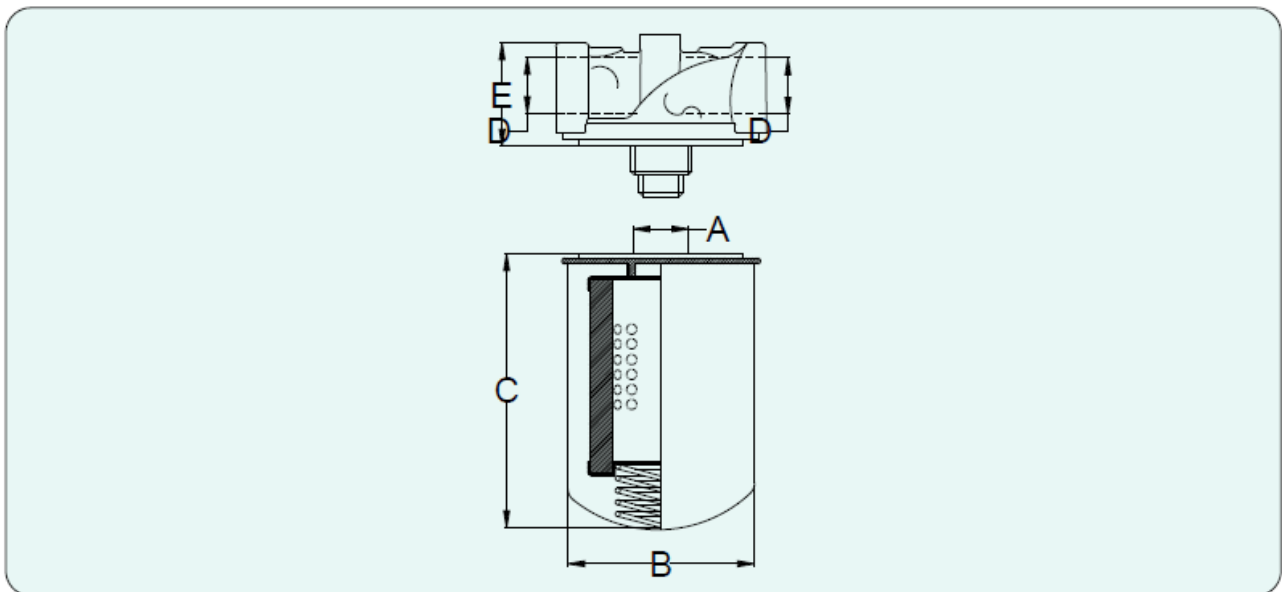




SPIN-ON FILTERS

<u>FILTER HEAD:</u>	<u>FILTER ELEMENT:</u>	<u>STOCK SIZES:</u>
Die cast aluminum Max. Pressure :10 bar. Mounting holes on top. Working Temp : -25 to 110 C	Steel seamed canister. Max. Pressure : 10 bar. Media : 10 / 25 microns glass fibre Max. Flow : 150 LPM. Disposable element. Working Temp : -25 to 110 C with by-pass valve	Head : 3/4" BSP TO 1 1/4" BSP. Element : 3/4" BSP TO 1 1/4" BSP.



TYPE	A	B	C	D	E	MICRONS
CS50	R3/4	95	145	R3/4	44	10 µm ABS, 25 µm ABS, 60 µm WIRE MESH
CS70	R3/4	95	195	R3/4	44	10 µm ABS, 25 µm ABS, 60 µm WIRE MESH
CS100	R1 1/4	128	180	R1 1/4	60	10 µm ABS, 25 µm ABS
CS150	R1 1/4	128	240	R1 1/4	60	10 µm ABS, 25 µm ABS
AFPOVL-1001	1-12 UNF	95	115	R3/4	44	10 µm ABS, 25 µm ABS
AFPOVL-1002	1-12 UNF	95	145	R3/4	44	10 µm ABS, 25 µm ABS
AFPOVL-1003	1-12 UNF	95	175	R3/4	44	10 µm ABS, 25 µm ABS, 80 µm WIRE MESH